

**PRODUCT SPECIFICATIONS**

Dayton Stainless Steel 25" x 22" x 6-1/16" Single Bowl Drop-in Sink (10 Pack). Sink is manufactured from 23 gauge 300 series Stainless Steel with a Satin finish, Center drain placement, and Bottom only pads.

|                              |  |
|------------------------------|--|
| <b>Installation Type:</b>    | Drop-in  |
| <b>Material:</b>             | 300 series Stainless Steel                                       |
| <b>Finish:</b>               | Satin  |
| <b>Gauge:</b>                | 23   |
| <b>Sound Deadening:</b>      | Bottom only pads   |
| <b>Number of Bowls:</b>      | 1  |
| <b>Sink Dimensions:</b>      | 25" x 22" x 6-1/16"  |
| <b>Bowl 1 Dimensions:</b>    | 21" x 15-3/4" x 5-7/8"   |
| <b>Drain Size:</b>           | 3-1/2" (89mm)  |
| <b>Drain Location:</b>       | Center   |
| <b>Minimum Cabinet Size:</b> | 30"  |
| <b>Mounting Hardware:</b>    | Part # 64090012 included for countertops up to 3/4" (19mm) thick |
| <b>Template Included:</b>    | No   |
| <b>Cutout Template #:</b>    | <a href="#">1000001188</a>                                       |

Template is available for download at [elkay.com](#). CAD software will be required to open the template.

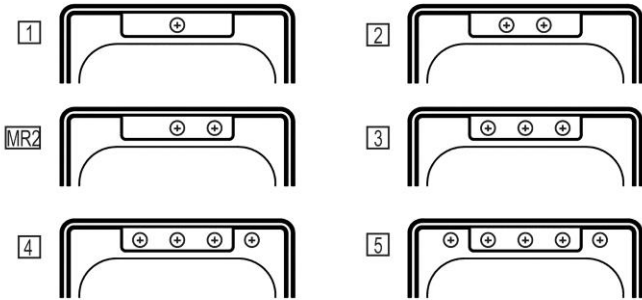
**Cutout Dimensions for Drop-in Installation:**

24-3/8" x 21-3/8" (619mm x 543mm) with 1-1/2" (38mm) corner radius

**NOTE: MUST BE ORDERED IN MULTIPLES OF 10**

**Hole Drilling Configurations:**

1-1/2" (38mm) Diameter Faucet Holes on 4" (102mm) Centers



A Century of Tradition and Quality.

For more than 100 years, Elkay has been making innovative products and providing exceptional customer care. We take pride in offering plumbing products that make life easier, inspire change and leave the world a better place.



**Product Compliance:** ADA & ICC A117.1  
ASME A112.19.3/CSA B45.4  
Buy American Act



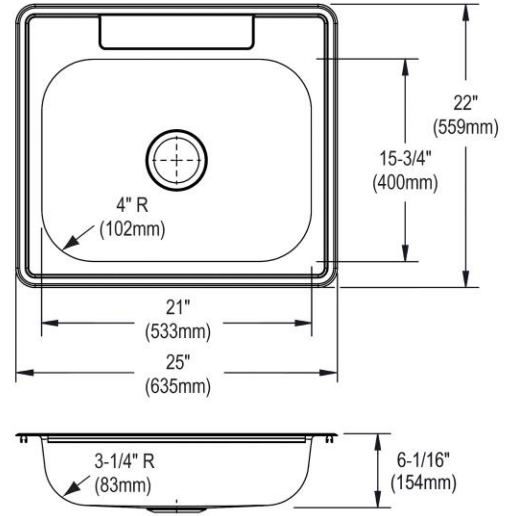
Sinks are listed by IAPMO® as meeting the applicable requirements of the Uniform Plumbing Code®, International Plumbing Code®, and National Plumbing Code of Canada.



Complies with ADA & ICC A117.1 accessibility requirements when installed according to the requirements outlined in these standards.

[Clean and Care Manual \(PDF\)](#)  
[Installation Instructions \(PDF\) - 1000005236](#)  
[Warranty \(PDF\)](#)

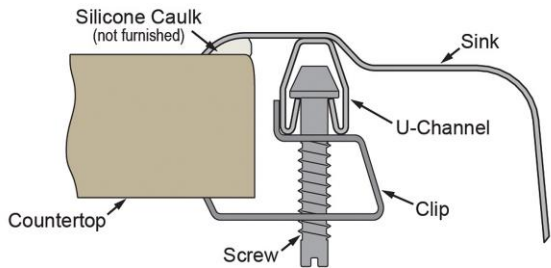
**Similar models are available with: one sink per box**






PART: \_\_\_\_\_ QTY: \_\_\_\_\_  
 PROJECT: \_\_\_\_\_  
 CONTACT: \_\_\_\_\_  
 DATE: \_\_\_\_\_  
 NOTES: \_\_\_\_\_  
 APPROVAL: \_\_\_\_\_

In keeping with our policy of continuing product improvement, Elkay reserves the right to change product specifications without notice. Please visit [elkay.com](#) for the most current version of Elkay product specification sheets. This specification describes an Elkay product with design, quality, and functional benefits to the user. When making a comparison of other producers' offerings, be certain these features are not overlooked.

**Installation Profile:**



**Optional Accessories**

|                                  |   |   |
|----------------------------------|---|---|
| <p><a href="#">GBG2115SS</a></p> | <p>Dayton Stainless Steel 17-1/2" x 12-1/4" x 1" Bottom Grid<br/><a href="#">Spec Sheet (PDF)</a></p>                             |  |
| <p><a href="#">CB1516</a></p>    | <p>Elkay Hardwood 15" x 16-3/4" x 3/4" Cutting Board<br/><a href="#">Spec Sheet (PDF)</a></p>                                     |  |
| <p><a href="#">D1125</a></p>     | <p>Dayton 3-1/2" Stainless Steel Drain with Removable Basket Strainer and Rubber Stopper<br/><a href="#">Spec Sheet (PDF)</a></p> |  |

*In keeping with our policy of continuing product improvement, Elkay reserves the right to change product specifications without notice. Please visit [elkay.com](http://elkay.com) for the most current version of Elkay product specification sheets. This specification describes an Elkay product with design, quality, and functional benefits to the user. When making a comparison of other producers' offerings, be certain these features are not overlooked.*